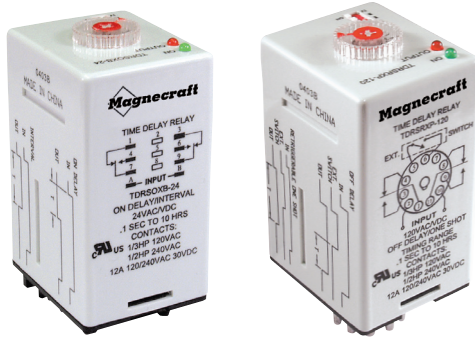




### Description

Time delay relays that are dual-function, dual-voltage and socket-compatible. The integrated DIP switching allows the user to easily adjust a wide timing range. Octal and square base available.



TDRSOXB Relay

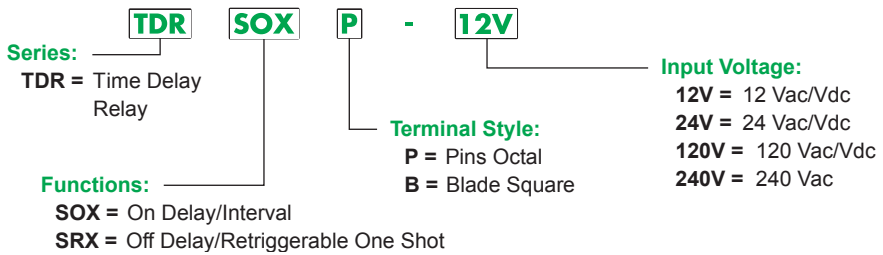
TDRSRXP Relay

Feature	Benefit
Integrated DIP switch	Simplifies the programming of the functions and timing
Output and input indication	Red and green LED for status check
Removable knob	Tamper resistance
Optional side and top flange mounting	Flexibility in mounting techniques
Socket compatible	Makes for easy installation and replacement

Input Voltage	Functions Available (1)	Timing Range	Contact Configuration	Rated Current (A)	Base Type	Standard Part Number
120 Vac/Vdc	A, C	100 ms to 10 hrs	DPDT	12	8 Blade Square Base	TDRSOXB-120V
12 Vac/Vdc	A, C	100 ms to 10 hrs	DPDT	12	8 Blade Square Base	TDRSOXB-12V
24 Vac/Vdc	A, C	100 ms to 10 hrs	DPDT	12	8 Blade Square Base	TDRSOXB-24V
240 Vac	A, C	100 ms to 10 hrs	DPDT	12	8 Blade Square Base	TDRSOXB-240A
120 Vac/Vdc	A, C	100 ms to 10 hrs	DPDT	12	8 Pin Octal Base	TDRSOXP-120V
12 Vac/Vdc	A, C	100 ms to 10 hrs	DPDT	12	8 Pin Octal Base	TDRSOXP-12V
24 Vac/Vdc	A, C	100 ms to 10 hrs	DPDT	12	8 Pin Octal Base	TDRSOXP-24V
240 Vac	A, C	100 ms to 10 hrs	DPDT	12	8 Pin Octal Base	TDRSOXP-240A
120 Vac/Vdc	D, E	100 ms to 10 hrs	DPDT	12	11 Blade Square Base	TDRSRXB-120V
12 Vac/Vdc	D, E	100 ms to 10 hrs	DPDT	12	11 Blade Square Base	TDRSRXB-12V
24 Vac/Vdc	D, E	100 ms to 10 hrs	DPDT	12	11 Blade Square Base	TDRSRXB-24V
240 Vac	D, E	100 ms to 10 hrs	DPDT	12	11 Blade Square Base	TDRSRXB-240A
120 Vac/Vdc	D, E	100 ms to 10 hrs	DPDT	12	11 Pin Octal Base	TDRSRXP-120V
12 Vac/Vdc	D, E	100 ms to 10 hrs	DPDT	12	11 Pin Octal Base	TDRSRXP-12V
24 Vac/Vdc	D, E	100 ms to 10 hrs	DPDT	12	11 Pin Octal Base	TDRSRXP-24V
240 Vac	D, E	100 ms to 10 hrs	DPDT	12	11 Pin Octal Base	TDRSRXP-240A

(1) For function descriptions, see pages 33 and 34.

### Part Number Explanation



# Schneider Electric/Legacy Electric Time Delay and Sensor Relays TDRSOX/SRX Series DPDT, 12 A

## Specifications

Part Number	TDRSOX	TDRSRX
<b>Input Characteristics</b>		
Input Voltage Range	12, 24, 120 Vac/Vdc 240 Vac	12, 24, 120 Vac/Vdc 240 Vac
Operating Voltage	80% to 110% of Nominal	80% to 110% of Nominal
Maximum Power Consumption (AC)	2.5 VA	2.5 VA
Maximum Power Consumption (DC)	2.5 W	2.5 W
<b>Output Characteristics</b>		
Contact Configuration	DPDT	DPDT
Output Current Rating	12 A	12 A
Contact Material	Silver Alloy	Silver Alloy
Switching Capabilities	240 Vac, 50/60 Hz, 30 Vdc 1/3 HP @ 120 Vac 1/2 HP @ 240 Vac Pilot Duty B300	240 Vac, 50/60 Hz, 30 Vdc 1/3 HP @ 120 Vac 1/2 HP @ 240 Vac Pilot Duty B300
Minimum Switching Requirement	100 mA at 5 Vac or Vdc	100 mA at 5 Vac or Vdc
<b>Timing Characteristics</b>		
Functions Available (1)	A,C	D,E
Time Scales	8	8
Time Ranges	0.1 sec to 1 sec 1 sec to 10 sec 10 sec to 100 sec 0.1 min to 1 min 1 min to 10 min 10 min to 100 min 0.1 hr to 1 hr 1 hr to 10 hr	0.1 sec to 1 sec 1 sec to 10 sec 10 sec to 100 sec 0.1 min to 1 min 1 min to 10 min 10 min to 100 min 0.1 hr to 1 hr 1 hr to 10 hr
Tolerance	10% of Mechanical setting	10% of Mechanical setting
Repeatability @ constant voltage and temperature	1%	1%
Reset Time	150 ms	150 ms
Trigger Pulse Length	N/A	50 ms minimum
<b>General Characteristics</b>		
Electrical Life (operations at rated current) (2)	100,000 operations	100,000 operations
Mechanical Life (Unpowered) (2)	10,000,000 operations	10,000,000 operations
Dielectric Strength (Input to Contacts)	2500 Vrms	2500 Vrms
Storage Temperature Range	-30°C (-22°F) to +70°C (+158°F)	-30°C (-22°F) to +70°C (+158°F)
Operating Temperature Range	-20°C (-4°F) to +60°C (+140°F)	-20°C (-4°F) to +60°C (+140°F)
Weight	133 g (4.69 oz)	133 g (4.69 oz)
Input Indication	Green LED	Green LED
Output Indication	RED LED	RED LED
Enclosure Rating (according to IEC 60529 IP rating)	IP40	IP40
Approvals	cULus (UL Listed [File No. E43641] when used with Schneider Electric/Legacy Electric sockets), cURus (File No. E43641), RoHS	cULus (UL Listed [File No. E43641] when used with Schneider Electric/Legacy Electric sockets), cURus (File No. E43641), RoHS

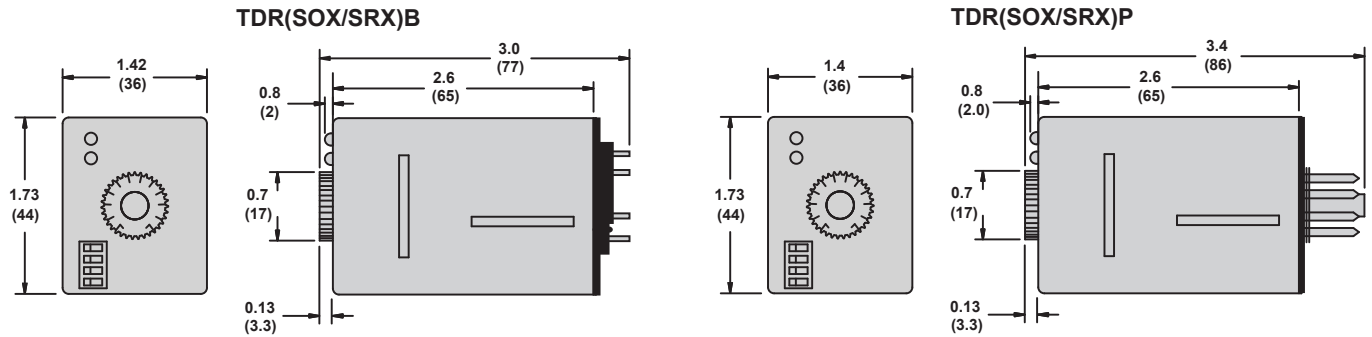
(1) For function descriptions, see pages 33 and 34.

(2) Actual product life will vary based on electrical load, duty cycle, application, and environmental conditions.

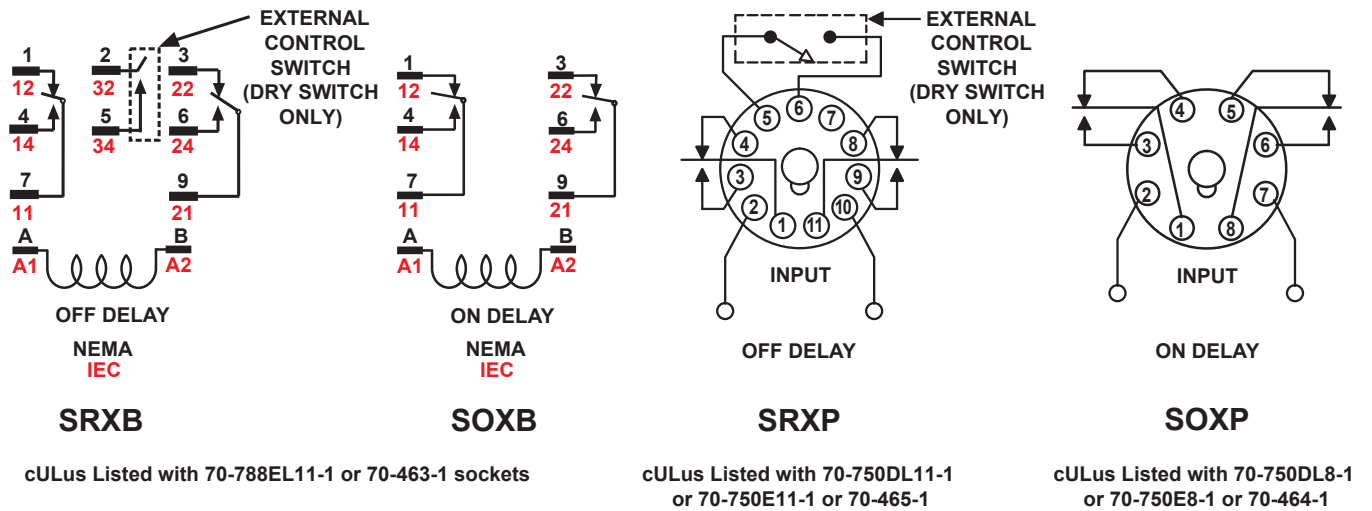
*Dimensions,  
Wiring Diagrams,  
Selecting Time Range  
and Function*

**Schneider Electric/Legacy Electric  
Time Delay and  
Sensor Relays**  
TDRSOX/SRX Series  
DPDT, 12 A

**Dimensions — inches (millimeters)**



**Wiring Diagrams**



**Selecting Time Range**

Time Range	Digital Switch Position		
	II	III	IV
0.1 sec – 1 sec	OFF	OFF	OFF
1 sec – 10 sec	OFF	OFF	ON
10 sec – 100 sec	OFF	ON	OFF
0.1 min – 1 min	OFF	ON	ON
1 min – 10 min	ON	OFF	OFF
10 min – 100 min	ON	OFF	ON
0.1 hr – 1 hr	ON	ON	OFF
1hr – 10 hr	ON	ON	ON

**Selecting Function (1)**

Function SOX	Digital Switch Position
On Delay	OFF
Interval	ON

Function SRX	Digital Switch Position
On Delay	OFF
Interval	ON

(1) For function descriptions, see pages 33 and 34.