

326/327 Series - Time Delay Relay

SPDT - 3PDT, 10 Amp



The 326 on delay and 327 off delay are “octal” base constructed time delay relays. Both AC and DC versions are available. On delays can have up to three poles. The timing circuit is a fully encapsulated precision RC (resistor – capacitor) network typically used in applications where oscillators are not desired. Fixed time versions are available. Single pole and double pole versions have 8 pin bases. The 3 pole version has 11 pins. All are intended for socket mounting.



GENERAL SPECIFICATIONS (@ 25° C)

Timing:

| | |
|--|---------------------|
| Functions Available | On-delay, Off-delay |
| Time Range | Up to 300 seconds |
| Timing Adjustment | Knob |
| Timing Repeatability (Constant voltage and temperature) | 3% |
| Reset Time maximum | 150mS |
| Input Pulse Length minimum | 50mS |

Contacts:

| | |
|-----------------------------|------------------------------|
| Contact Configuration | SPDT, DPDT, 3PDT |
| Contact Material | Silver Alloy |
| Contact Rating | 10 Amp / 10 Amp |
| 120 / 240VAC Resistive | 10 Amp |
| 28VDC Resistive | 1/3Hp |
| Motor 120VAC | 1/2Hp |
| Motor 240VAC | 500mW |
| Minimum Contact Load | 100 milliohms max @ 6VDC, 1A |
| Contact Resistance, Initial | |

Coil:

| | |
|-----------------------------|------------------------|
| Coils Available | AC and DC |
| Nominal Coil Power | 2.75VA 2W |
| Input Voltage Tolerance -AC | 85% to 110% of nominal |
| Input Voltage Tolerance -DC | 80% to 110% of nominal |
| Transient Protection | Yes |
| Reverse Polarity Protection | Yes |
| Duty | Continuous |

Dielectric Strength:

| | |
|-----------------------------------|--------------------------|
| Across Open Contacts | 500Vrms |
| Between Mutually Insulated Points | 1500Vrms |
| Insulation Resistance | 1,000 Mohms min @ 500VDC |

Temperature:

| | |
|-----------|----------------------------|
| Operating | -20 to 70°C (-4 to 158°F) |
| Storage | -40 to 85°C (-40 to 185°F) |

Life Expectancy:

| | |
|-----------------------------------|------------|
| Electrical (full load operations) | 100,000 |
| Mechanical (no load operations) | 10,000,000 |

Miscellaneous:

| | |
|-------------------|--|
| Mounting Position | Any |
| Mating Socket | 8 pin = SK-CIR8-DS 11 pin = SK-CIR11-DS |
| Enclosure | Clear Polycarbonate |
| Weight | 5.0oz (142 grams) |

Ordering Code **326 XAX 48P 001 F 120VAC**

Series

326 - On delay
327 - Off delay

Contact Arrangement

XAX (SPDT) - (1 form C)
XBX (DPDT) - (2 form C)
XCX (3PDT) - (3 form C)

Construction Style

Octal style plug-in - CODE 48P
Non standard wiring - CODE 48P - K

Timing Ranges

0.1 - 1.0 Seconds - CODE 001
0.2 - 2.0 Seconds - CODE 002
1.0 - 10 Seconds - CODE 010
3.0 - 30 Seconds - CODE 033
6.0 - 60 Seconds - CODE 060
18 - 180 Seconds - CODE 180
30 - 300 Seconds - CODE 300

Adjustment Options

Adjustment knob - No CODE
Fixed - Specify fixed time - CODE F 3F - 3 seconds fixed (ie. 3F)
Remote adjustment - CODE R (SPDT, DPDT only) (Call)

Operating Voltage

AC: 24, 120, 240, (Add VAC)
DC: 12, 24, 115-125 (Add VDC)

Timer / Sensor - Time Delay & Sensor Relays

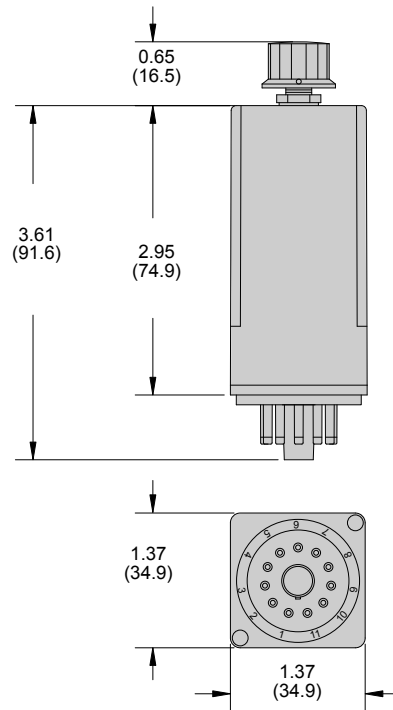
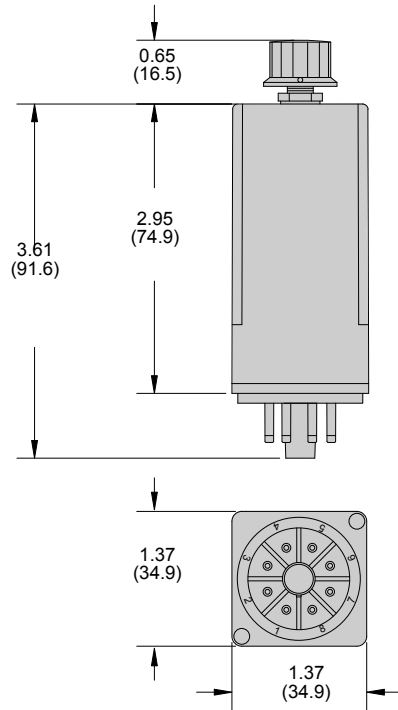
5 - 25 Amp

Outline Dimensions

Dimensions Shown in inches & (millimeters)

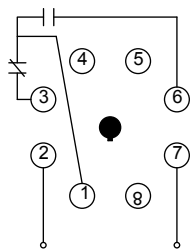
8 Pin Octal Base

11 Pin Octal Base

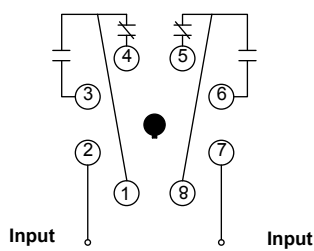


326/327 Wire Diagram

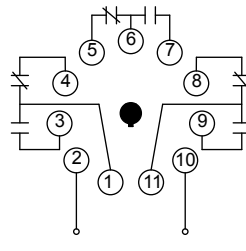
326XAX48P



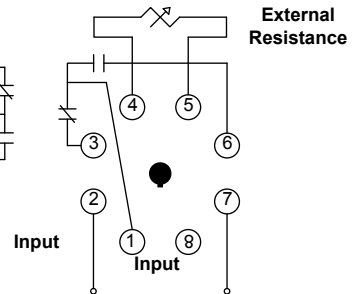
326XBX48P



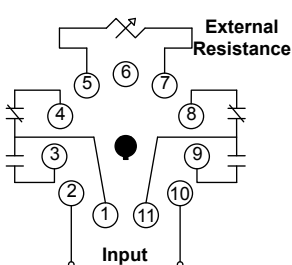
326XCX48P



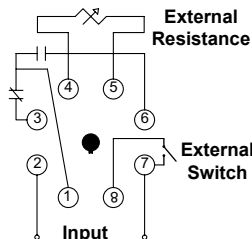
326XAX48RP-R



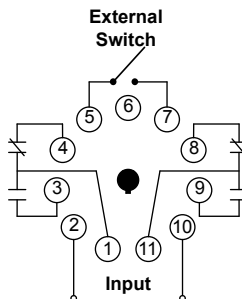
326XBX48RP-R



327XAX48RP-R



327XBX48RP-K



327XBX48P-R

