

Dry miniature reed relays offer long life and extremely fast switching times. Capable of switching up to 100VDC. Compact printed circuit board package with standard 0.100" pin spacing. Electrostatic shields are available. Nonstandard schematics and pin-outs can also be produced for specific customer requirements.

### GENERAL SPECIFICATIONS (@ 25° C)

#### Contacts:

Contact Configuration	Up to DPDT
Contact Material	Rhodium
Contact Rating	
Load (maximum)	4VA
Switching Voltage (maximum)	100VDC
Switching Current (maximum)	0.5 Amp
Carry Current (maximum)	1 Amp
Contact Resistance, Initial	200 milliohms max @ 6VDC

#### Coil:

Coils Available	DC
Coil Power	Varies
Input Voltage Tolerance - DC	80% to 110% of nominal
Drop-out voltage	10% of nominal
Duty	Continuous

#### Timing:

Operate Time (typical w/o suppression)	1ms
Release Time (typical w/o suppression)	1ms

#### Dielectric Strength:

Across Open Contacts	200VDC
Between Mutually Insulated Points	500VDC
Insulation Resistance	1000 megohms @ 100VDC

#### Capacitance:

Across Open Contacts	3pF
----------------------	-----

#### Temperature:

Operating	-40 to 85°C (-40 to 185°F)
Storage	-40 to 105°C (-40 to 221°F)

#### Life Expectancy:

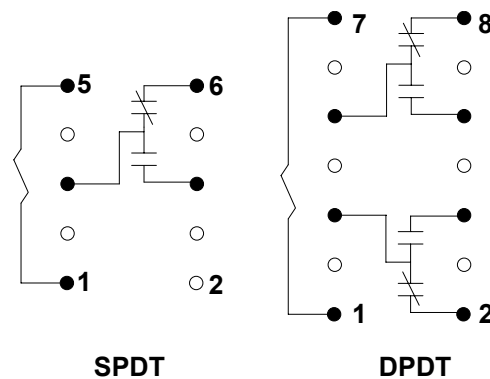
Electrical (full load operations)	10,000,000
Mechanical (no load operations)	100,000,000

#### Miscellaneous:

Mounting Position	Any
Weight	Varies



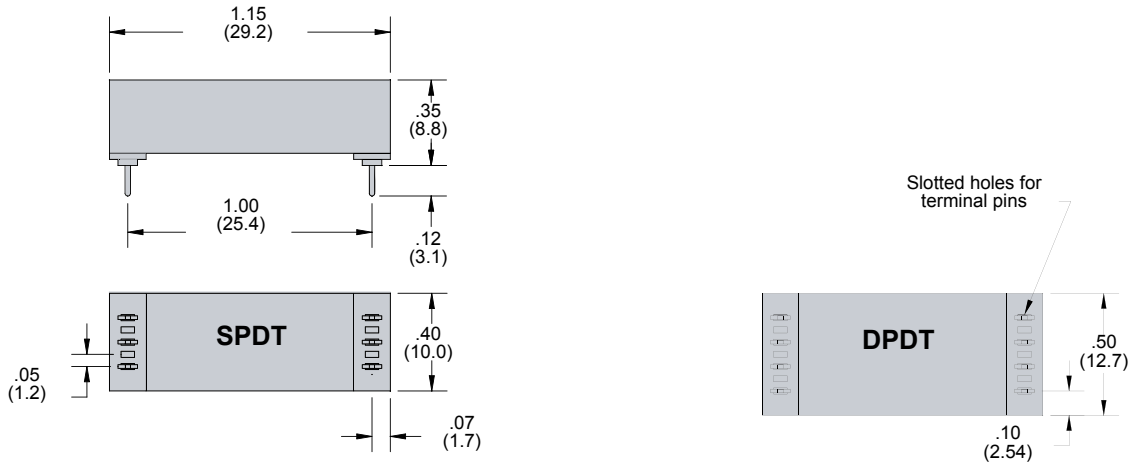
104 Wire Diagram  
(Top View)



# Reed Relays

## Outline Dimensions

Dimensions Shown in inches & (millimeters)



## 104 Part Number Chart

						Maximum Contact Rating		
Part number	Nominal input voltage	Maximum pull-in	Minimum dropout	Nominal resistance (ohms)	Nominal power (mW)	Maximum switching load	Switching current and voltage	Carry current (Amps)
<b>SPDT</b>								
104MPCX-3	24	18	2	2600	220	4VA	0.25 AMP 100VDC	0.5
<b>DPDT</b>								
104MPCX-149	5	4	0.5	45	556	4VA	0.25 AMP 100VDC	0.5
104MPCX-150	12	9	1	230	626	4VA	100VDC	
104MPCX-151	24	18	2	1200	480	4VA		